



THE ULTIMATE X-RAY SOLUTION



GO-SCAN C-VIEW

Real-time X-ray for CUI Inspection



FOR MORE INFORMATION, VISIT OUR WEBSITE



TELEDYNE ICM
Everywhereyoulook™

Part of the Teledyne Imaging Group

Real-time X-Ray for CUI Inspection



BATTERY OPERATED



CMOS TECHNOLOGY



WIRELESS OR CABLE



RUGGEDIZED



LIVE VIDEO



GO-SCAN C-VIEWER APP

FEATURES

Unit

GO-SCAN C-VIEW

GENERAL

Technology	-	CMOS Active Pixel
Pixel pitch	µm	99
Active area	mm/in	102 x 153 / 4 x 6
Active resolution	pxl	1032 x 1548

BANDWIDTH

Data interface	-	Wi-Fi or Ethernet cable (optional)
Frame rate	fps	up to 30

POWER CONSUMPTION

Power supply	-	18V Dewalt battery
Power	W	67.5 max (X-ray max)
Battery performance	h	~2 (with 5 Ah battery)

INTEGRATION

Dimension detector head	mm/in	292x195x61.5 / 11.50x7.68x2.42
Overall dimension	mm/in	300-650x292x504 / 11.81-25.6x11.5x19.84
Weight	Kg/lbs	<6.5 / 14.3
Adjusting source - detector distance	mm/in	300 - 650 / 11.81 - 25.59

ENVIRONMENTAL

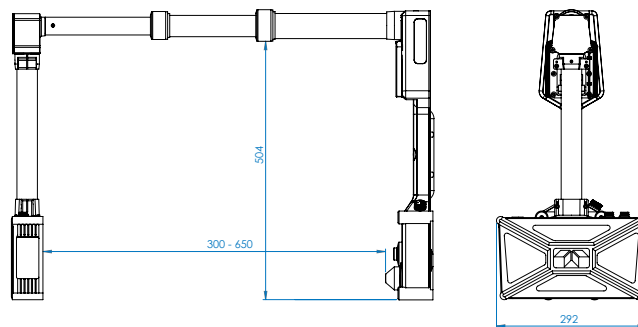
Operating temperature	°C/F°	-30, +50°C / -86, +122°F
Storage temperature	°C/F°	-30, +60°C / -86, +140°F
Humidity	% R.H.	20 - 80
IP Range	-	IP65 (excluding battery)

Software / app	Works with Go-Scan C-Viewer app, multiple simultaneous displays, video recording, snapshot, x-ray settings, ...	
----------------	---	--

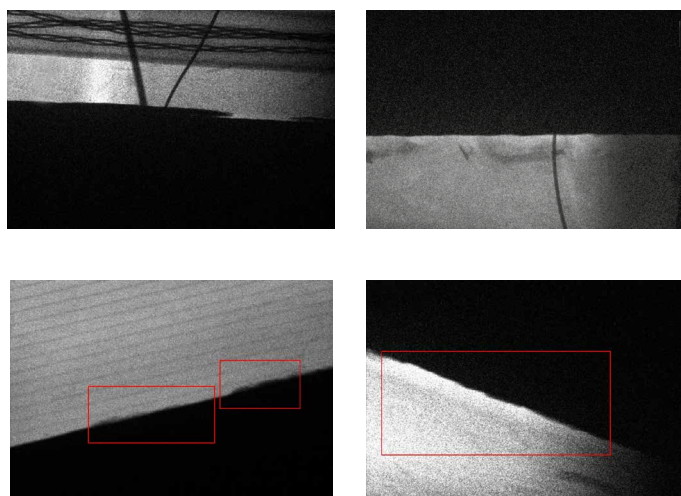
FACILITATE YOUR X-RAY INSPECTIONS

Go-Scan C-view is a light weight ruggedized live video X-ray imaging system specifically designed for hand-held inspection, such as Corrosion Under Insulation inspection (CUI). It includes a high speed and high resolution CMOS imager and a battery-operated 70kV x-ray source designed for portable field operation. The video imaging system captures in real time images up to 30 fps and displays them on a hand held mobile device equipped with our custom made Go-Scan C-viewer application.

DRAWINGS



RADIOGRAPHY RESULTS EXAMPLES



ACCESSORIES

- Additional mobile device
- Realwear heads-up display
- Rope access kit (hooks)
- External trigger cable extender (3m)



All specifications are non contractual and subject to change without prior notice.

TELEDYNE ICM

Zoning Les Plenesses / Rue Du Progrès 3 / B-4821 Andrimont (Dison) - Belgium
+32 (0)87 44 01 50 / icm.sales@teledyne.com

FOR MORE INFO, VISIT OUR WEBSITE



TELEDYNE ICM
Everywhereyoulook™

Part of the Teledyne Imaging Group