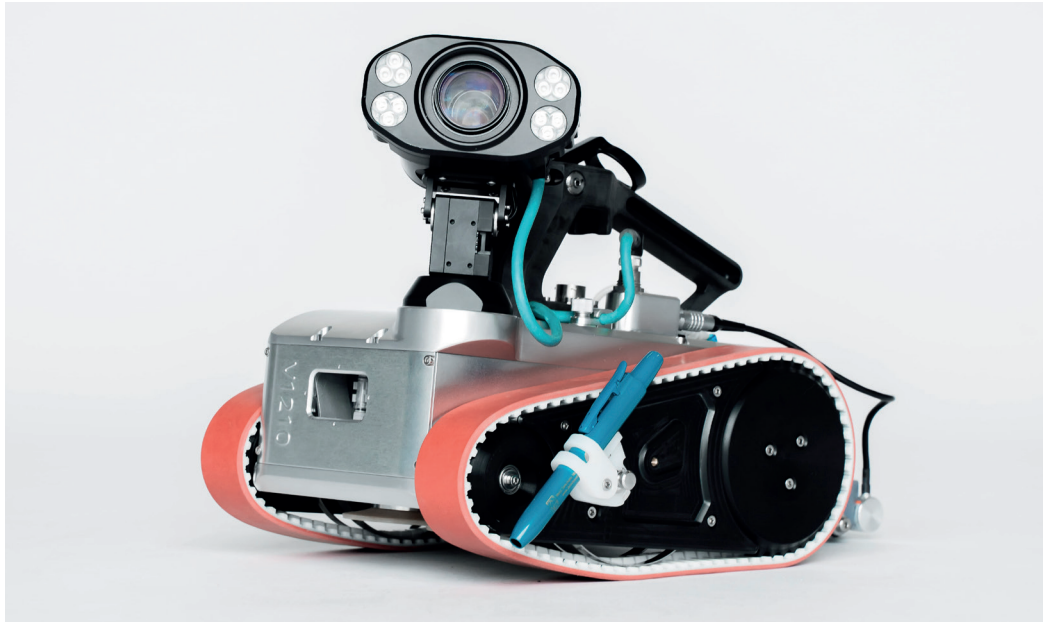




TECHNICAL SPECIFICATIONS

V1200 Product sheet



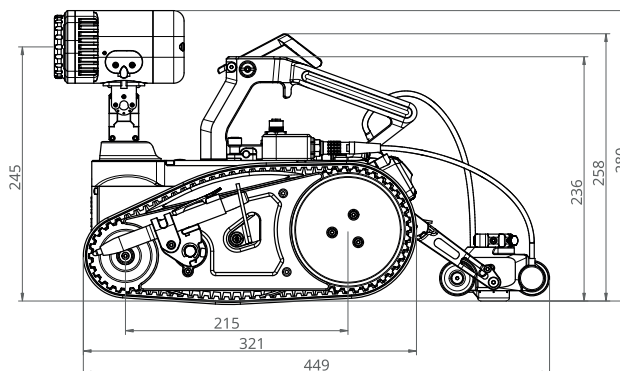
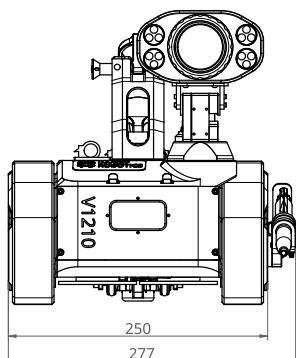
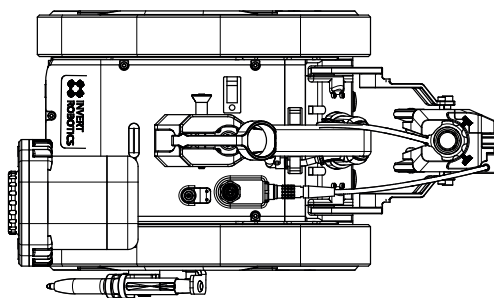
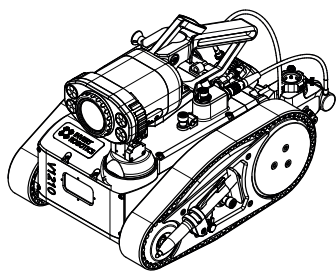
With no entrance in confined spaces or working at heights being required, Invert Robotics' multi-technology NDT robotic platforms – the V-, M, and H-series – offer the safest, fastest and fail-safe way to make sure your assets' health is up to par.

With no entrance in confined spaces or working at heights being required, Invert Robotics' multi-technology NDT robotic platforms – the V-, M, and H-series – offer the safest, fastest and fail-safe way to make sure your assets' health is up to par.

- Whatever surface – glass, plastics, composites, stainless steel, aluminium – the V1200 goes anywhere. Climbing or descending, our platform's robust adhesion technology keeps it crawling smoothly and securely over both non-magnetic and magnetic surfaces. It can even complete inspections hanging upside, also when carrying heavy NDT tooling.
- Whoever carries out inspections – your own or third party inspectors – our platform enables you to follow inspections even at a distance.
- Wherever in the world they're needed, our small and robust robots – with ditto carrying case – can be deployed instantly and travel anywhere as check-in luggage.



V1200 product sheet



V1200 Technical specifications

Weight	6.8 kg (without camera) Note: V1200 weight includes UTT integral payload
Dimensions	277 x 322 x 234 mm (W x L x D)
Material	Any smooth surface such as glass, plastics, composites, stainless steel, aluminium
Max. cable length	Standard 20 m can be extended up to 100 m
Constr. materials	UHMWPE, aluminium, rubber

Performance

Power consumption	350 W
Power supply (V/amp)	35/10
Operational temperature range	-10°C to 50°C (configurations for other temperatures are available)
Nominal diameter for operation (mm)	1200

Speed

Max. linear speed	200 mm/sec
Tracked based differential steering	Yes



V1200 product sheet

Adhesion system (vacuum)

- Active and passive sliding suction adhesion system
- 4x adhesion pads – redundancy built into the suction system
- Active vacuum pump system, prevents the robot from falling in case of power loss
- Adhesion system force (max) (N) 528

Certifications

In process

Control case

- Easy to set up and versatile
- Fully integrated control system
- Standard game controller to drive the robot
- Daylight readable LCD screen – even in the brightest light
- Pelican Air 1637 carrying case
- Tested against the ISTA-6-FedEx-A standard

Working surfaces

- Any smooth surface, including stainless and carbon steel, glass plastics, composites and aluminium

Payload capability

- Visual inspection cameras as standard payload
- Ultrasonic thickness tester

Other capabilities

- Transitions between floor and wall (without payload) 90-degree angle only